



GENUINE PARTS

INSTALLATION INSTRUCTIONS

DESCRIPTION: Aluminum Kick Plate

APPLICATION: Leaf (2011)

PART NUMBER: 999G6 8X000

KIT CONTENTS:

Item	QTY	Description	Service Part Number
A	2	Plate-Kicking, FR	999G6 GX000

A



TOOLS REQUIRED:

- Nylon Removal Tool
- Soft Cloth
- Alcohol

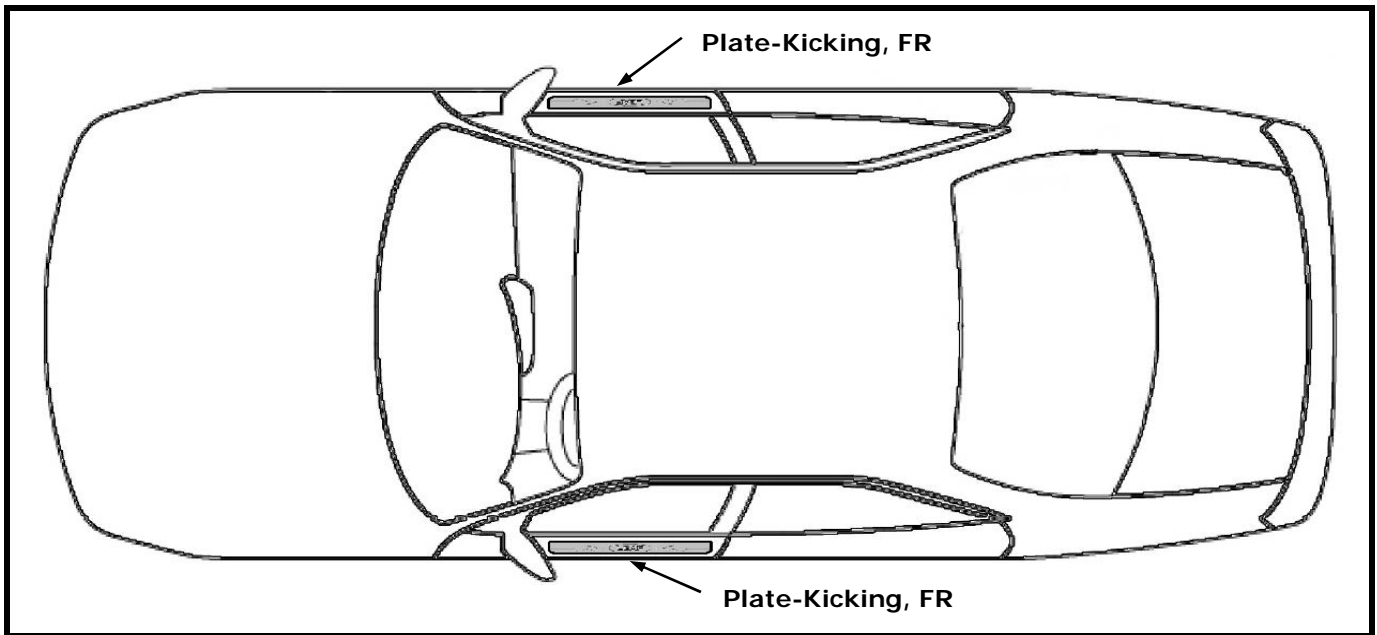
PRE-INSTALLATION CAUTION/NOTES:

- Dealer installation recommended.

CAUTION

- This accessory must only be installed as specified in these instructions.
- Ensure at all times that parts are securely fitted and will not compromise the safe function of vehicle systems.

INSTALLATION OVERVIEW:

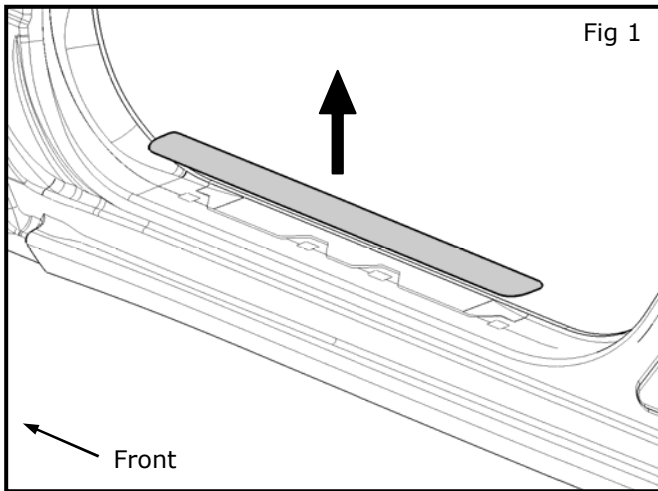


VEHICLE PREPARATION:

CAUTION

- Please read these instructions carefully before installing this product for correct installation.
- If problem occurs during installation, please contact Nissan dealer where you purchased the product.

INSTALLATION PROCEDURE:

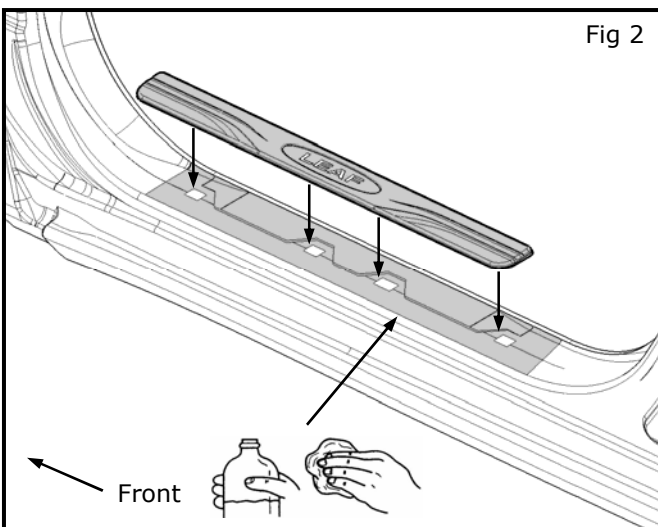


The Procedure below shows the installation for LH Side. Repeat this Procedure for the RH side.

- 1) Front Kicking Plate Outer (LH) Removal
 - a) Start at Rear Edge and pull up by hand. (May need to use nylon removal tool to pry up end)
Fig 1

NOTE:

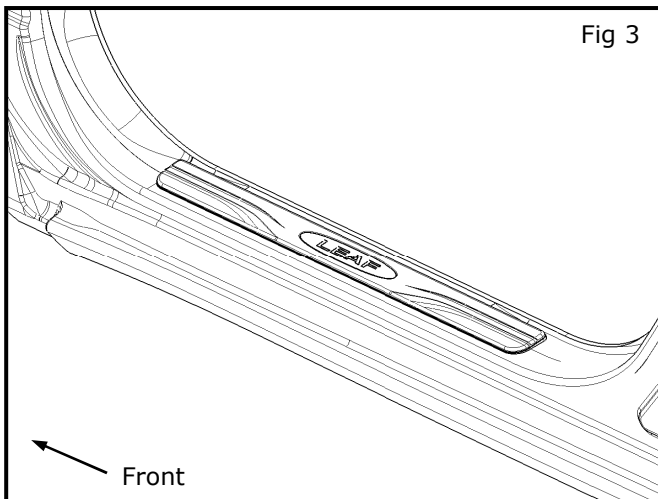
There are (4) clips that secure the part.



- 2) Install Front Kicking Plate Outer (LH)
 - a) Clean vehicle body with alcohol and allow to dry.
 - b) Place Kick Plate over holes.
 - c) Cover the top of the kick plate with cloth to prevent damage.
 - d) Press down directly above each clip to engage. Push to snap.
Fig 2

NOTE:

Be careful not to damage clips during installation.



- 3) Finished install for driver's side. Complete Passenger side to finish product install.

ACCESSORY CHECK:

- 1) Remove all tools from the vehicle.
- 2) Inspect Kick Plate gap to body. Maximum gap to be no greater than 0.70mm.
- 3) Part shall be tight to the body with no looseness.
- 4) Examine interior for leftover debris, garbage, etc.